

Control Devices

Unit 5 79 Bourke Road, ALEXANDRIA NSW 2015 AUSTRALIA
PH: +61 2 9330 1700
FAX: +61 2 8338 9001
E-mail: sales@controldevices.net

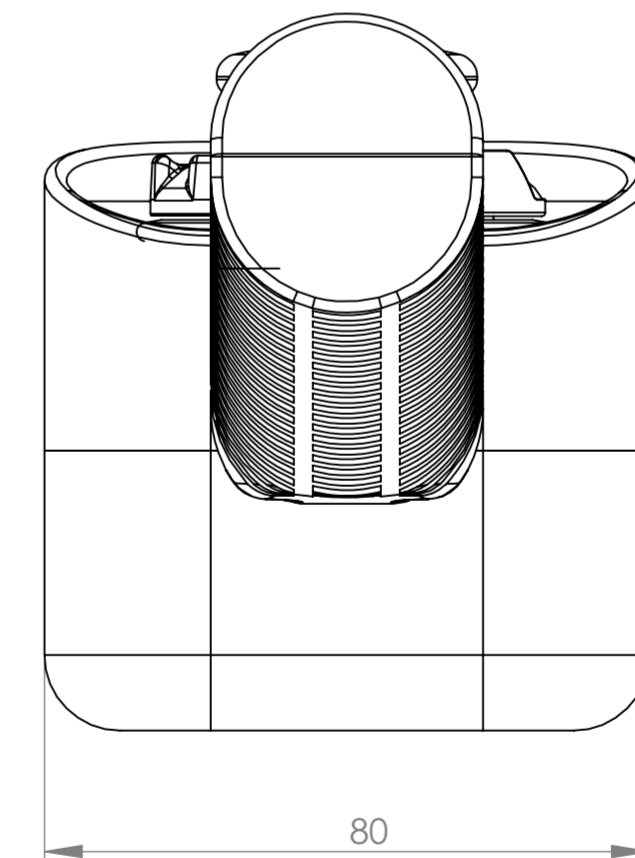
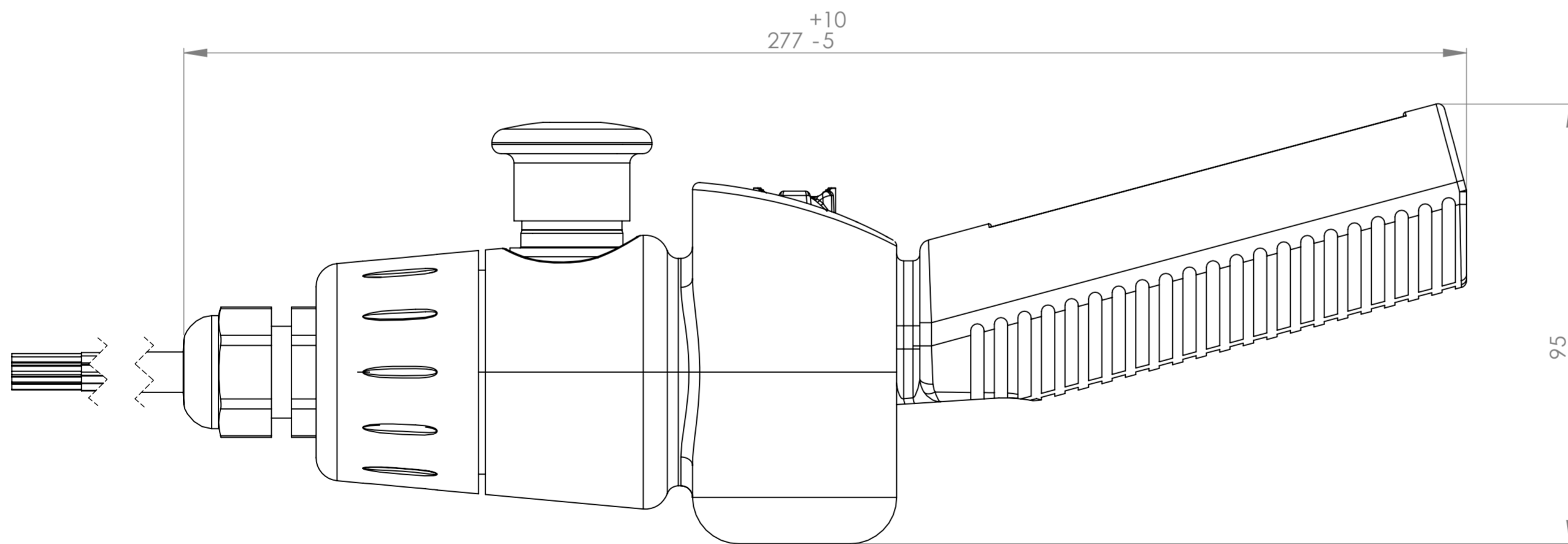
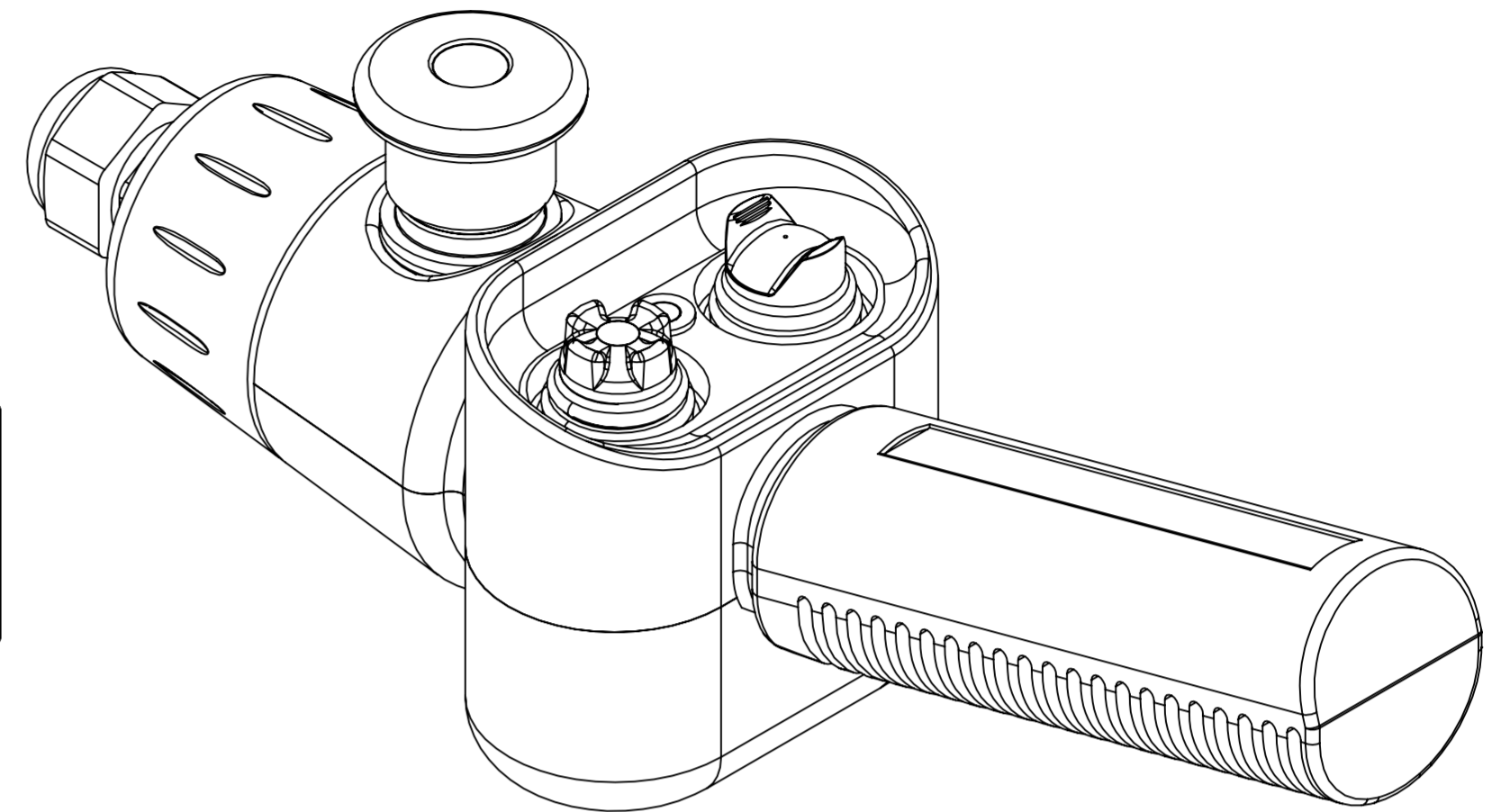
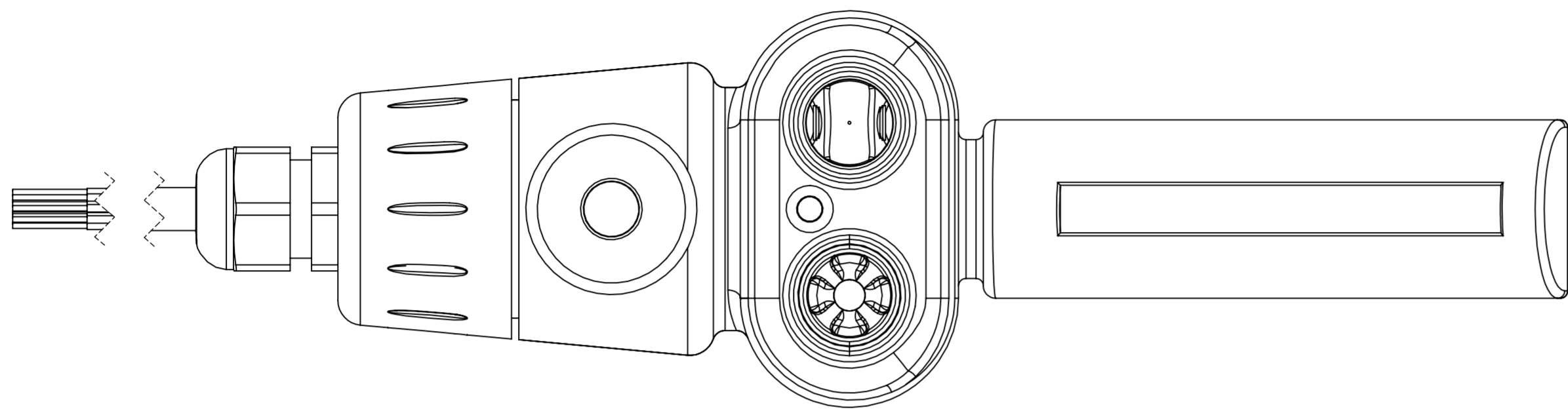
Drawing Number: CDG-GEN-0842

Current Revision: 1.0

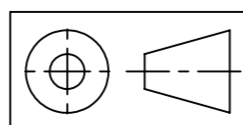
Date: 12/03/2015 6:01:10 PM

RECORD OF ISSUE

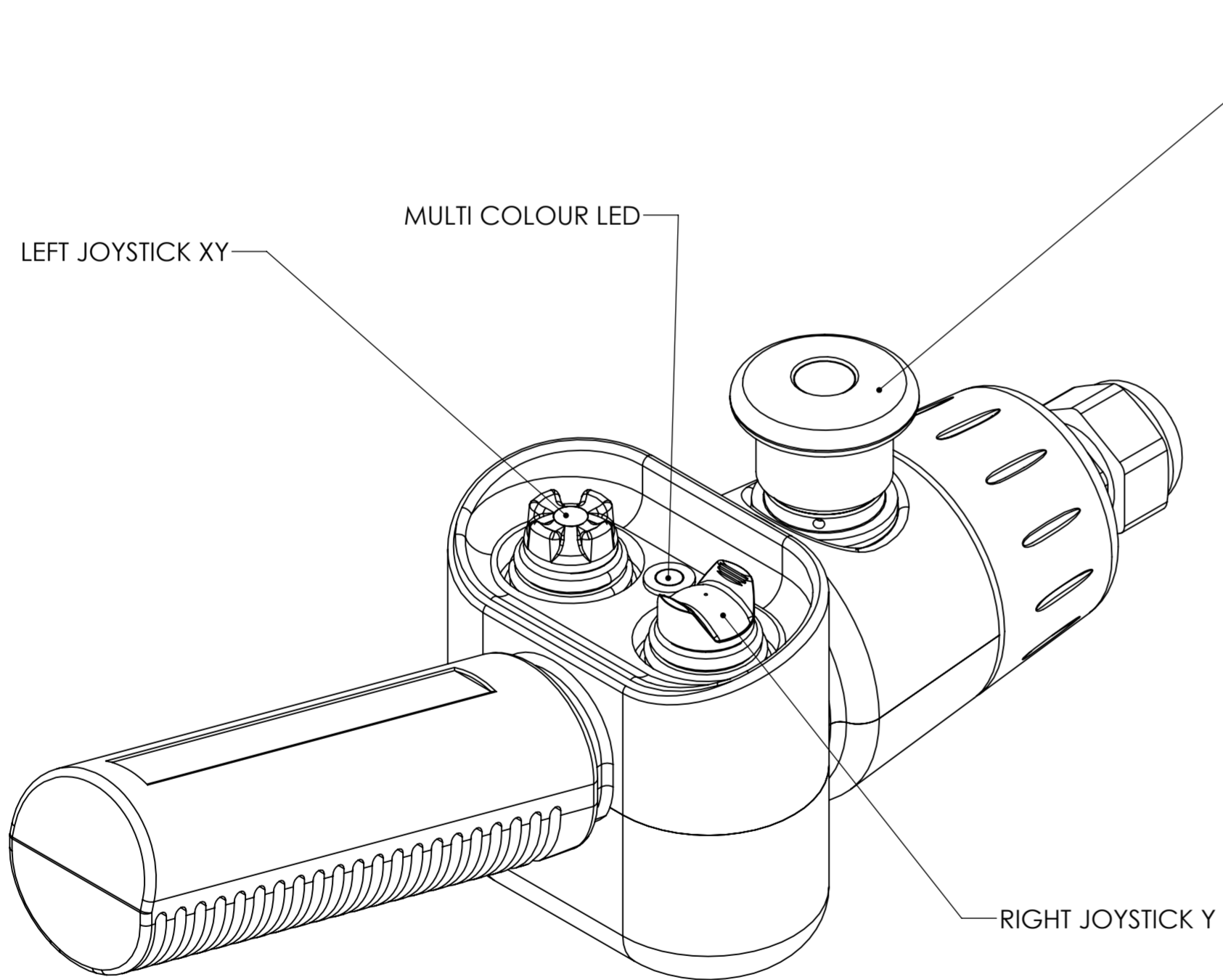
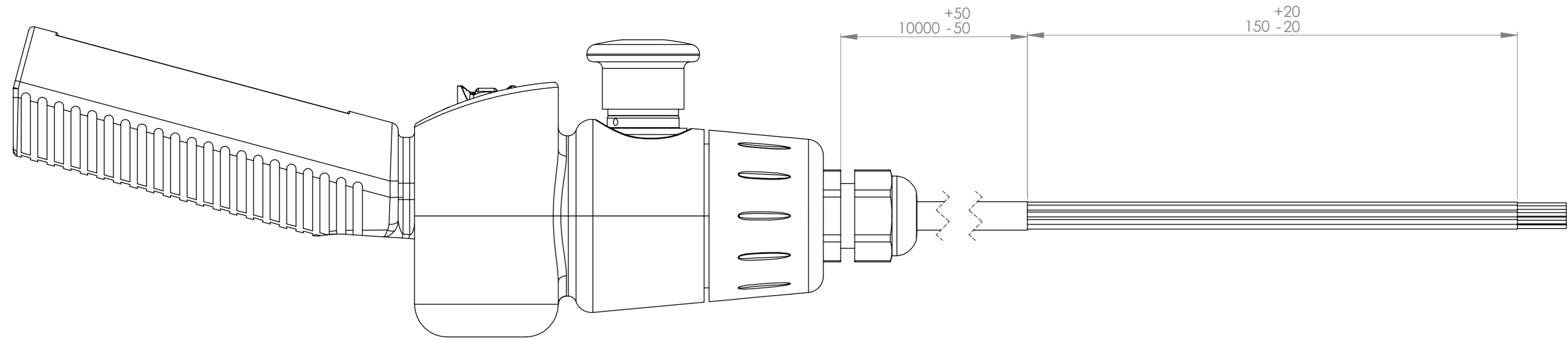
REV NO.	CHANGE MADE	PREPARED BY	APPROVED BY	DATE
1.0	<ul style="list-style-type: none">DRAWING CREATED	M DZIDOWSKI	D DELANEY	12/03/2015



DRAWN TO AS1100 DIMENSIONS ARE IN MILLIMETERS

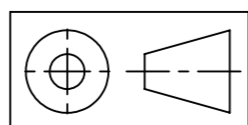


DATE DRAWN 12/03/2015	DATE MODIFIED 12/03/2015	REVISION NO. 1.0	Control Devices ENGINEERING		Unit 5, 79 Bourke Road Alexandria NSW 2015 AUSTRALIA Phone: +61 2 9330 1700 Fax:+61 2 8338 9001E-mail: sales@controldevices.net	
DRAWN BY M DZIDOWSKI		CHECKED BY N BOSENBERG		TITLE CUSTOM PENDANT CONTROLLER		
TOLERANCES LINEAR: ± 1.0mm ANGULAR: ± 1.0 ° OR AS SHOWN		TYPE PROJECTION PRINTED COPIES ARE UNCONTROLLED		CODE INDENT NO. CDG-GEN-0842	DRAWING NO. CDG-GEN-0842	SHEET SIZE A2
				SCALE:1:1 OR AS SHOWN	SHEET 2 OF 4	WEIGHT: N/A DO NOT SCALE



CABLE HARNESS CONNECTION	
WIRE COLOUR	FUNCTION
RED	POWER + 24VDC
BLACK	POWER 0V REF
YELLOW	XY JOYSTICK - Y OUTPUT 4~20mA
GREEN	XY JOYSTICK - X OUTPUT 4~20mA
BLUE	Y JOYSTICK - Y OUTPUT 4~20mA
PINK	E-STOP CIRCUIT 1 TERMINAL 1
VIOLET	E-STOP CIRCUIT 1 TERMINAL 2
BROWN	E-STOP CIRCUIT 2 TERMINAL 1
GREY	E-STOP CIRCUIT 2 TERMINAL 2
WHITE	LED COMMON*
RED/BLUE	LED RED TERMINAL*
WHITE/GREEN	LED GREEN TERMINAL*
BROWN/GREY	SPARE
GRAY/PINK	SPARE
SHEILD**	
** NOT CONNECTED AT GRIP END	
*LED IS RATED TO 24VDC	

DRAWN TO AS1100 DIMENSIONS ARE IN MILLIMETERS



DATE DRAWN 12/03/2015	DATE MODIFIED 12/03/2015	REVISION NO. 1.0	Control Devices ENGINEERING		Unit 5, 79 Bourke Road Alexandria NSW 2015 AUSTRALIA Phone: +61 2 9330 1700 Fax:+61 2 9338 9001 E-mail: sales@controldevices.net	
DRAWN BY M DZIDOWSKI		CHECKED BY N BOSENBERG		TITLE CUSTOM PENDANT CONTROLLER		
TOLERANCES LINEAR: ± 1.0mm ANGULAR: ± 1.0° OR AS SHOWN		TYPE ELECTRICAL		CODE INDENT NO. CDG-GEN-0842	DRAWING NO. CDG-GEN-0842	SHEET SIZE A2
PRINTED COPIES ARE UNCONTROLLED				SCALE:1:1 OR AS SHOWN	SHEET 3 OF 4	WEIGHT: N/A
				DO NOT SCALE		

